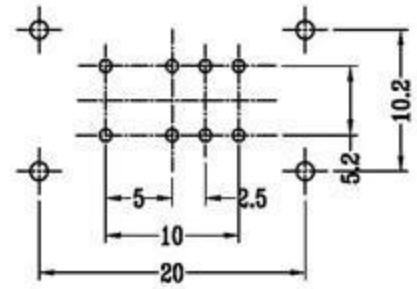
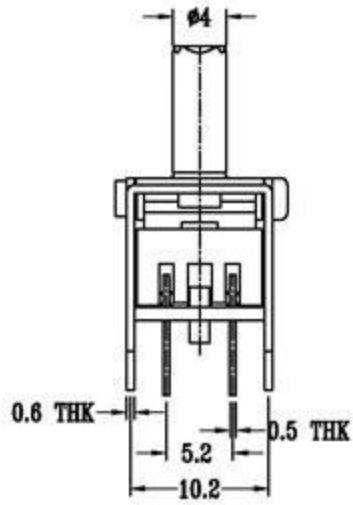
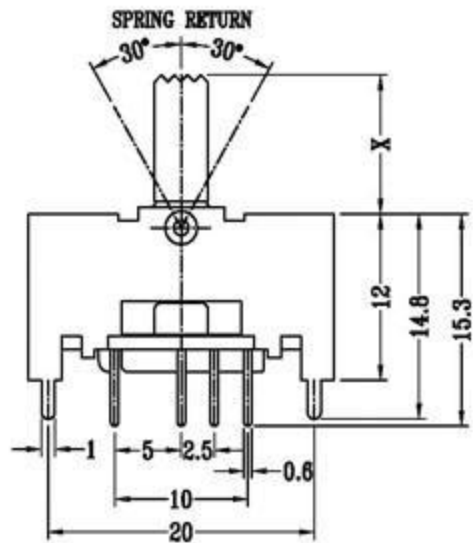


SCHEMATIC (SHORTING)



P.C.B LAYOUT